



NDP 20

- The Alfa NDP 20 is designed for the hospitality industry: bars, restaurants, pubs...
- Alfa NDP 20 ice cubes are fashionable and cool, with a slow melt so that customers can enjoy longer their drinks. They are ideal to be consumed with soft drinks and spirits.
- Small dimensions and lightweight machine.
- Simple, easy to understand with high reliability and low-cost spare parts.
- Innovating features are developed such as the revolutionary ITV patented elastic spray system which uses flexible nozzles to avoid scale or lime build-up. It is unique!
- The complete range comes with an AISI 304 stainless steel housing.
- The "STIF" concept implemented gives a great solidity but also allows total accessibility to the interior without dismantling the machine.
- The "EASI" concept enables to disassemble the icemaker with just a screwdriver. Maximum service-ability is therefore achieved!



ICE MAKERS - ALFA RANGE



INDUSTRIA TECNICA VALENCIANA SA
POL.IND.SECTOR 13, AVDA DELS HOSTALERS 2
46394 RIBA-ROJA DE TURIA - VALENCIA- SPAIN
APDO CORREOS 245 / P.O. BOX 245
46190 RIBA-ROJA DE TURIA - VALENCIA - SPAIN
TEL. INT.: 34-96 166 75 75 - FAX 34-96 166 81 00
www.itv.es/E-mail: itv@itv.es



Production 24h.		Storage		Cycle	Compressor	Abs.
Air cooled	Water cooled	Kg.	Cubes	Cubes	c.v.	Watts
22 Kg.	25 Kg.	6	403	18	1/5	355

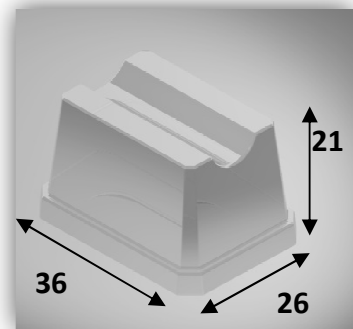
Features


- ✓ Small dimensions: 592x470x350
- ✓ Net weight: 35 Kg.
- ✓ 304 Stainless Steel
- ✓ Refrigerant R404
- ✓ Production: 22 / 25 Kg.
(24h - Air 20°C / Water 15°C)
- ✓ Storage: 6 Kg
- ✓ Electro-mechanical controls




Cubes

- ✓ Mould Dimension: 26x21x36
- ✓ Weight: 17 gr.
- ✓ Cubes/Cycle: 18 cubes






EASI:
Easy Access for Service & Installation



STIF:
Strong Inox Frame



Silent Rain

